

VERDERAIR

VA-2H52 3A



The VA-2H52 3A is a hygienic designed electrical or air operated double diaphragm pump. With the wide range of materials for valve seats, balls valves and diaphragms, this pump is the ideal problem solver for numerous hygienic applications. The VA-2H series is used where a high degree of food safety is required. The VA-2H is a reliable, easy to operate pump.

Your benefits

- Most hygienic design for food applications
- Efficient engineered design which reduces the risk of contamination (low amount of products which come into contact with the medium)
- A high quality product with best price-performance ratio
- Can run against closed discharge valve without the need of overpressure safety equipment
- Dry self-priming

Technical Data			
Weight (kg)	Ball version	50,3	
Suction lift (mWc)	dry	3	
	wet	9,1	
Temperature limits internals (°C)	FKM *	-40	135
	EPDM	-40	135
	Neoprene	-18	82
	PTFE	4	104
	PTFE overmold diaphragms	4	82
	Santoprene	-40	82
Max. particle size (mm)	Ball versions	12,7	
Max. viscosity (mPas)		20000	
Fluid displacement/cycle (litres)	Ball versions	4,9	
Certifications	All models	-	CE / FDA / 3A
	Internals diaphragms	EO, TO with TF valves	EN1935/2004
		EO with TF valves	USP class VI

VERDERAIR
VA-2H52 3A



Code VA-2H52 No.1 No.2 No.3 No.4 No.5 No.6 No.7 No.8

No. 1 Fluid Section Material

X = 316 Stainless Steel, Ra : 0,8µm

No. 2 Air Section Material

S = 316 Stainless Steel

No. 3 Check Valve seat material

SE = SS seat with EPDM o-rings

ST = SS seat with EP-TF o-rings

SV = SS seat with FKM o-rings

No. 4 Check ball valves material

EP = EPDM

SP = Santoprene

VT = Viton

NW = Neoprene weighted

☞ TF = PTFE



No. 5 Diaphragm material

☞ EO = EPDM overmolded

SO = Santoprene overmolded

SP = Santoprene

☞ TO = PTFE/EPDM overmolded

☞ TS = PTFE/Santoprene 2 piece

VT = Viton



No. 6 Connections

D5 = DIN 11851, DN50, male

T5 = Tri-Clamp (ASME BPE), 2"

No. 7 Pump Style

3A = ball valve execution, 3A
(leak sensors included)

No. 8 Wetted material certifications

21 = EN 10204 type 2.1

31 = EN 10204 type 3.1

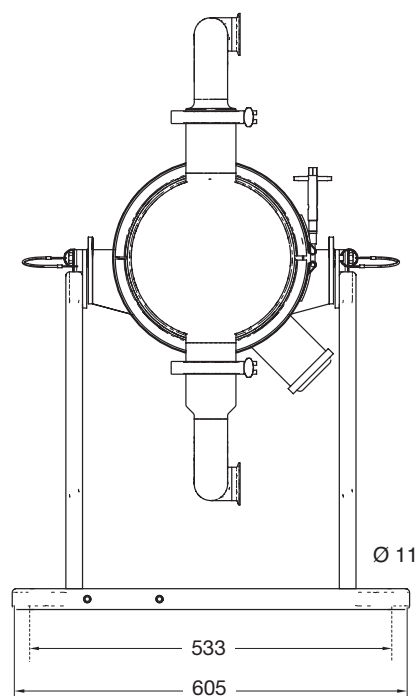
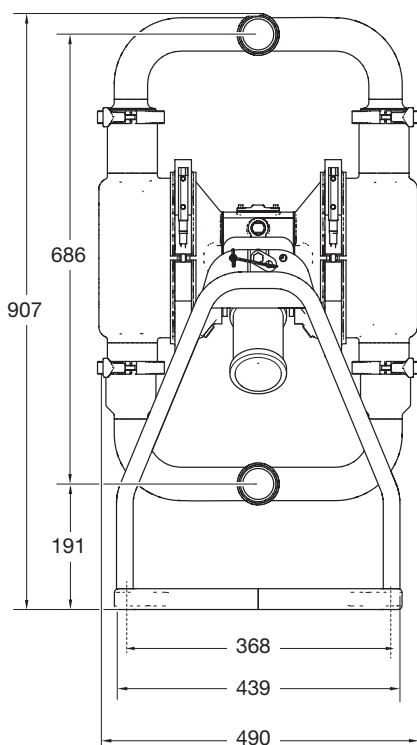
NOTE not all combinations are available

☞ EN 1935/2004

EXAMPLE PUMP TYPE

VA-2H52XS ST TF TO D5 3A 31

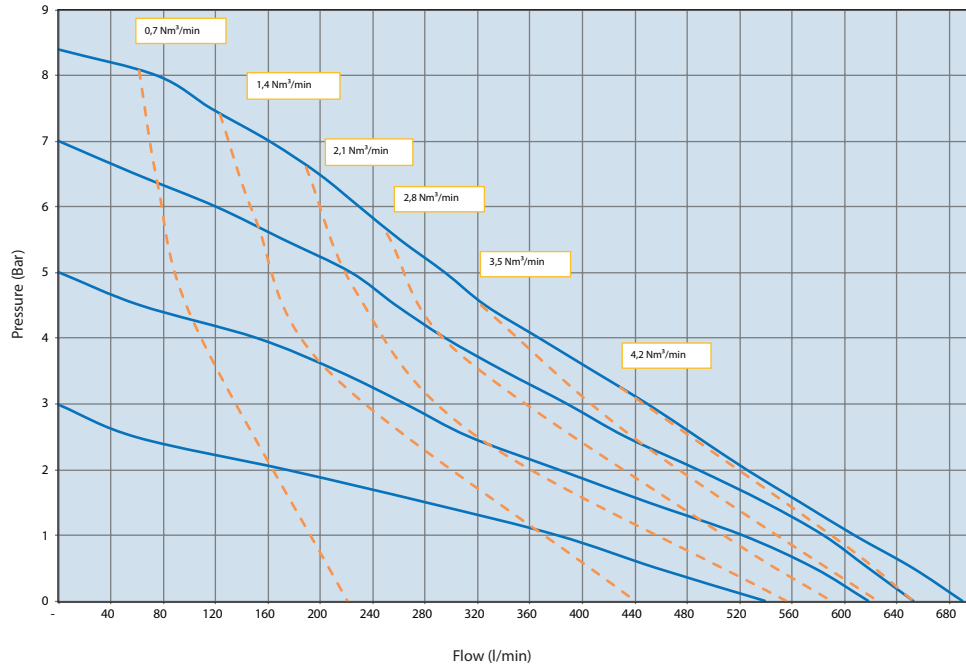
Dimensions (mm)



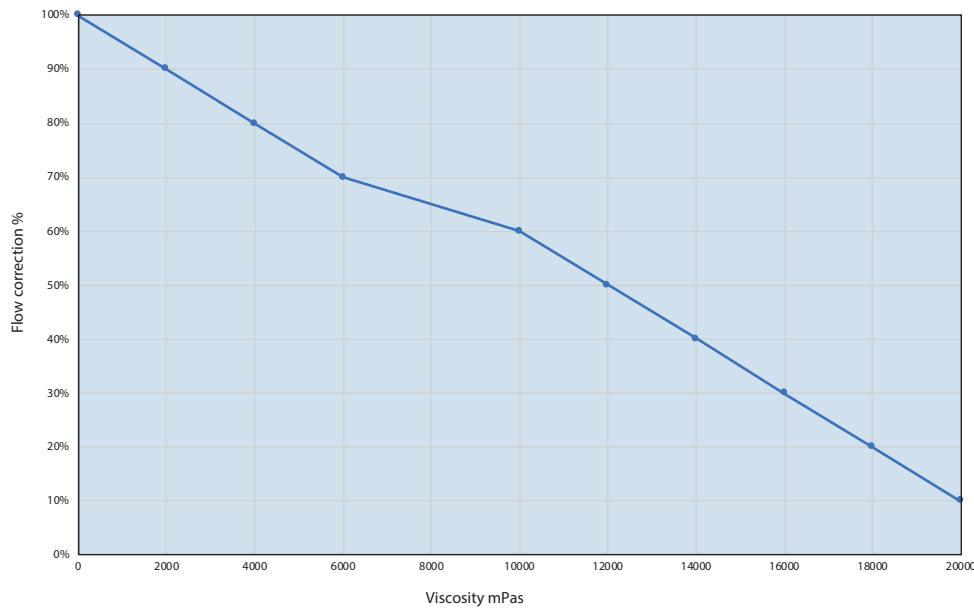
VERDERAIR
VA-2H52 3A



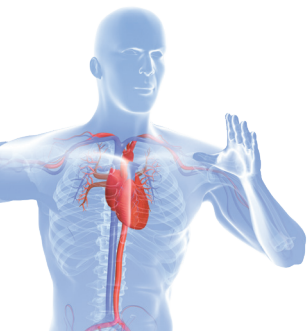
Flow rate / air consumption



Viscosity correction curve



Datasheet_VA-2H52 3A_EU_rev1



Find your local supplier at www.verderliquids.com

For construction, installation and floor mounting drawings
please contact your local authorised Verderair® distributor.